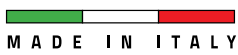
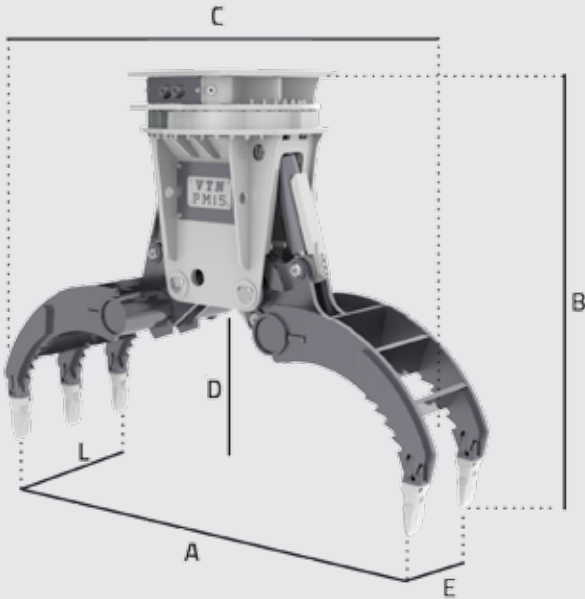
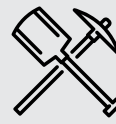
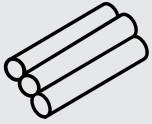


APLICAÇÕES



MODEL		PM200	PM400	PM700	PM1200	PM1500	PM2500
A	mm	871	1105	1630	1867	2491	2927
B	mm	981	1315	1456	1888	2023	2245
C	mm	1037	1270	1706	2090	2697	3043
D	mm	330	450	420	810	870	850
E	mm	200	371	436	403	574	681
L	mm	350	636	666	705	874	1096
	t	2	4	6	8	11	14
	°	360°	360°	360°	360°	360°	360°
	l/min	5/8	20/30	20/30	40/50	40/50	40/50
	bar	120	180/200	180/200	120	120	120
	l/min	30/35	40/50	40/50	70/80	90/100	140/150
	bar	200	200	200	320	320	320
	kg	226	467	757	1534	2120	3320
	t	3/6	6/10	8/13	18/24	23/40	35/60

